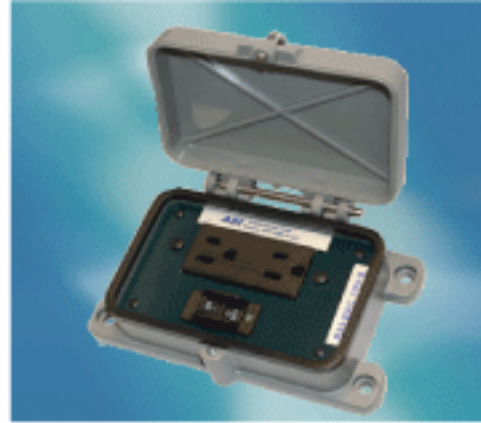


Remote Access Interface Dual AC Outlet or GFCI with Circuit Breaker



Features:

- UL approved outlet and circuit breaker
- IP65 rating with locking dust cover
- Robust aluminum housing

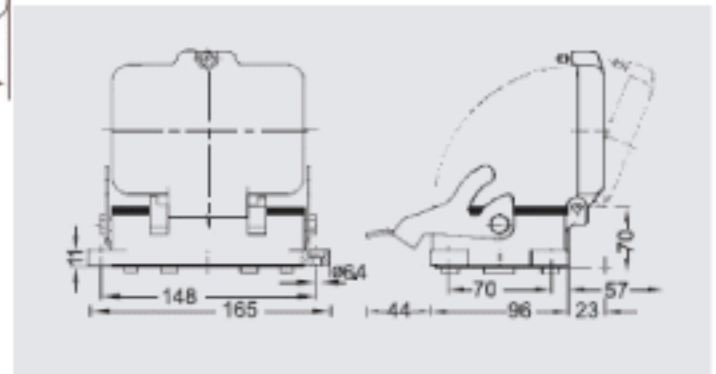
Connector Specifications, Circuit Breaker :

Current Rating:	1,2,3,4,5,6,7,8,9,10,12,15,16,20,24,25 or 30 Amp
Trip Curve:	DC Medium
Voltage:	240Vac, 80Vdc

AC Outlet Technical Data:

Ratings UL/CSA:	15 A / 125 VAC
-----------------	----------------

Housing Dimensions(mm):



*Other circuit breaker variations are available. Call 877-650-5160 to learn more